

CATALOG OF TUNGSTEN CARBIDE DRILLING BITS

[Tungsten Carbide Mining Bits](#)

Anvils and Pressure Cylinders

Date of Preparation: 08/19/2011

Revision 2011

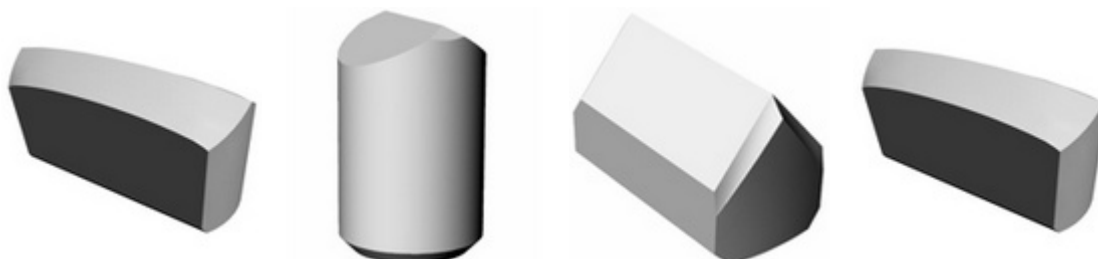
Reason for Issue: Updated Format

Chemical Name: Tungsten Carbide

Chemical Family: Refractory Metal (non-ferrous metal)

Chemical Formula: WC

Manufacturer: E-Biz Center of China Tungsten Industry Association



MORE INFORMATION

Web: www.carbidestungsten.com

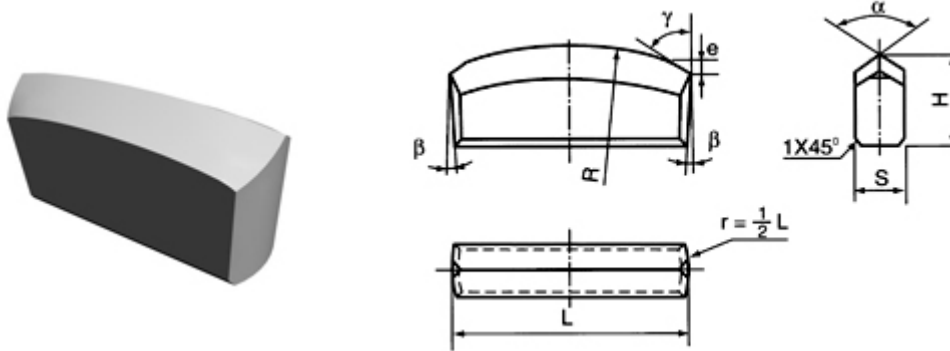
Email: ebiz@ctia.com.cn

PRODUCTS CONTENTS

Mining bits type K10.....	3
Mining bits type K20.....	4
Mining bits type K21.....	5
Mining bits type K22.....	6
Mining bits type K23.....	7
Mining bits type K30.....	8
Mining bits type K0.....	9
Mining bits type K2.....	11
Mining bits type K3.....	11
COMPANY INFORMATION.....	12

Mining bits type K10

Tungsten carbide Mining bits K10



mm

Type	Dimension								Note
	L	H	S	R	α	β	γ	e	
K1016	16.0	12.0	6.0	30.0	110°	3°	/	/	/
K1020	20.0			40.0			/	/	/
K1026	26.0			50.0			/	/	/
K1030	30.0	15.0	8.0	80.0			/	/	/
K1032	32.0			80.0			/	/	/
K10-00501	33.0	17.0	10.6	110.0	113°	3030'	45°	1.5	K0-00501
K10-99002	33.0	17.7	10.0	105.0				1.6	K0-99033
K10-99503	33.0	18.0		125.0				2.0	K0-99503
K1034	34.0	15.0	8.0	80.0	110°	3°	/	/	/
K10-73001	35.0	13.0	18.0	85.0		4°	/	/	G3237
K10-91002	35.0	11.0	8.0	110.0		2030'	/	/	G91142
K1038	38.0	15.0	8.0	120.0		3°	/	/	/
K10-80001	38.0			110.0		2°	45°	1.5	G08476
K10-99505	39.0	18.0	10.0	125.0	3°	45°	2.0	2.0	K0-99505
K1040	40.0	15.0	8.0	120.0					/

MORE INFORMATION

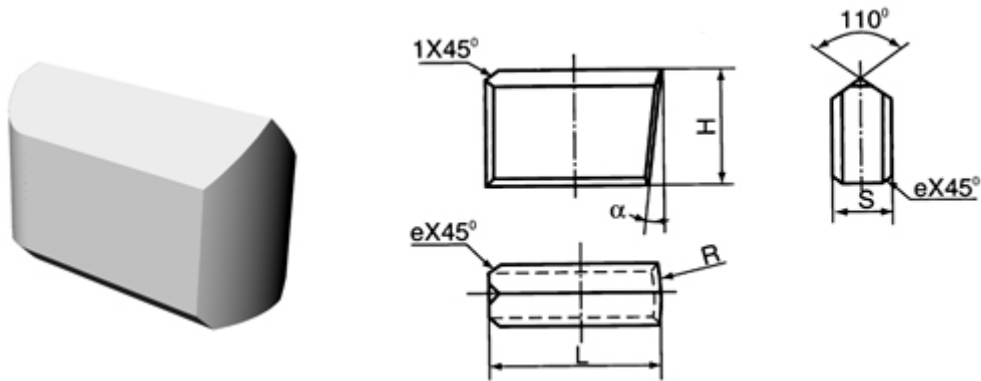
Web: www.carbide tungsten.com

Email: ebiz@ctia.com.cn

K10-93002	42.0	12.0	10.0	185.0			/	/	G93196
K10-88003	42.0	25.0	16.0	120.0	105°		/	/	G88133
K1043	43.0	15.0	10.0			160.0	110°		/
K1046	46.0				/			/	/
K1049	49.0	18.0			/			/	/
K1054	54.0				/			/	/
K10-75001	57.0	20.0		155.0		60°	2.0	G5437	
K10-88001	58.0	18.0	10.0	207.0		2°	/	/	G88041
K10-88002	60.0						/	/	G88042
K10-72001	72.0	18.5		230.0	120°	3°	/	/	G2227

Mining bits type K20

[Tungsten carbide Mining bits K20](#)



mm

Type	Dimension						Note
	L	H	S	R	α	e	
K20-91002	10.0	13.0	8.0	20.0	20°30'	1.0	G91727
K2012	12.0	12.0		16.0			/
K2013	13.0			17.0			/
K2014	14.0			20.0			/
K2015	15.0			14.0			G96090
K2016	16.0			22.0			13.0
K20-96501	16.5	17.0	8.0	20.0	/		
K2017	17.0	19.0		22.0	/		
K2019	19.0	16.0	10.0	23.0	/		
K2020	20.0			25.0	/		
K2022	22.0			1.5	/		
K20-96502	23.0	23.0	13.0	32.5	1.0	W96060	

MORE INFORMATION

Web: www.carbidestungsten.com

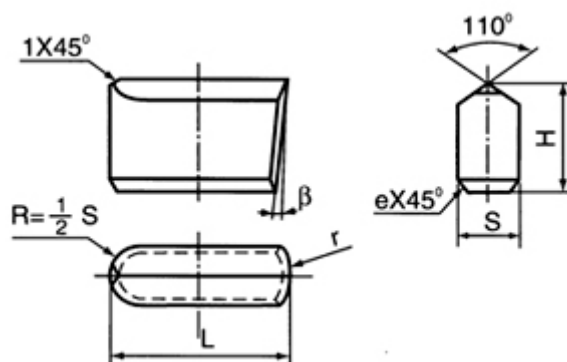
Email: ebiz@ctia.com.cn

K2024	24.0	16.0	10.0	27.0	1.5	/	
K2026	26.0			29.0		/	
K2028	28.0			31.0		/	
K2030	30.0			12.0		35.0	/
K2032B	32.0	16.0	10.0	31.0		1.0	G90689
K2032		18.0	12.0	38.0		/	
K2035	35.0	20.0	15.0	45.0		2.0	/
K2041	41.0	22.0	17.0	51.0			/
K2045	45.0	25.0	19.0	57.5			/
K2053	53.0		20.0	59.0			/

Mining bits type K21



[Tungsten carbide Mining bits K21](#)



mm

Type	Dimension						Note
	L	H	S	r	β	e	
K2114	14.0	12.0	8.0	20.0	3°	1.0	/
K21-81001	15.0	14.0		22.0	2°		G81157
K2116	16.0	12.0		20.0	3°		/
K21-87003	17.0	18.0	12.0	20.0	2030'	1.5	G87263
K2118	18.0	14.0	10.0	22.5	3°	1.0	/
K2120	20.0	18.0		28.5			/

MORE INFORMATION

Web: www.carbidestungsten.com

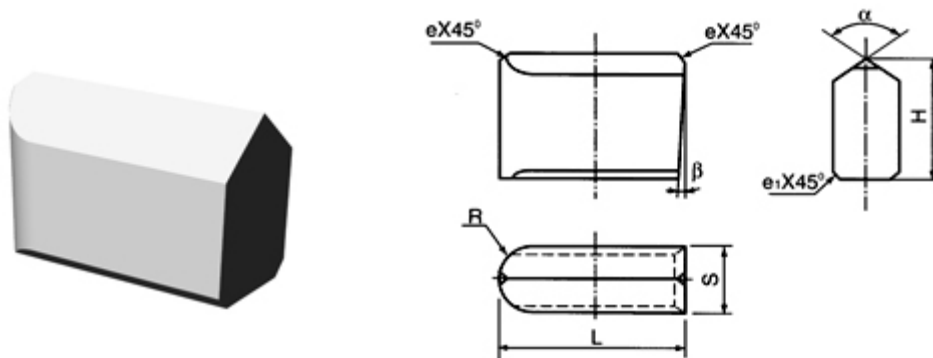
Email: ebiz@ctia.com.cn

K2126	26.0	16.0	12.0	35.0	1.5	/
K2128	28.0					/
K2130	30.0					/
K2132	32.0	12.0	14.0	38.0	2.0	/
K2135	35.0					/
K2139	39.0	18.0	14.0	57.5		/
K2143	43.0	20.0	14.0	63.5		/

Mining bits type K22



[Tungsten carbide Mining bits K22](#)



mm

Type	Dimension								Note
	L	H	S	R	α	β	e	e1	
K22-91001	28.0	16.0	10.0	5.0	110°	3o30'	/	1.0	G91045
K22-72001	30.0	25.0	15.0	7.5		3°	2.0	0.8	G2061
K22-76001	31.0	21.0	16.0	8.0				1.5	G6405
K22-72002	46.0	20.0	12.0	6.0		0.8	G2060		
K22-73001	49.0	18.0		7.0		/	0.5	G3236	
K22-72003	50.0	22.0	16.0	8.0	100°	4o30'	/	G2059	
K22-73002	50.5	18.0	14.0	7.0	110°	3°	2.0	1.0	G3088
K22-76002	51.0	20.0	12.0	6.0				1.5	G6407
K22-76003		22.0	16.0	8.0				G6408	

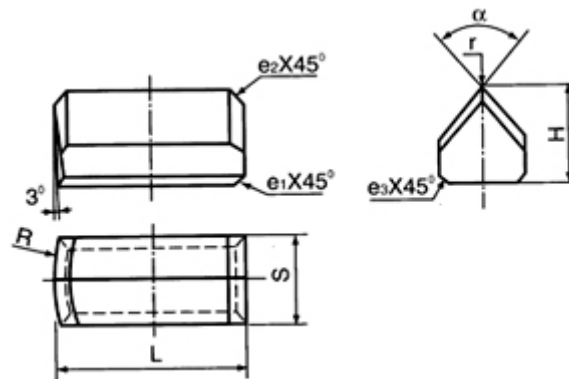
MORE INFORMATION

Web: www.carbidestungsten.com
Email: ebiz@ctia.com.cn

Mining bits type K23



[Tungsten carbide Mining bits K23](#)



mm

Type	Dimension									Note
	L	H	S	R	α	γ	e1	e2	e3	
K23-92001	11.0	6.5	7.8	19.1	80°	0.8	0.4	0.8	0.8	G92509
K23-85001	12.0									
K23-85002	13.5	14.3	7.7	19.1	70°	/	/	/	/	G85236
K23-85003	15.1									
K23-85004	16.7									
K23-85005	18.3	22.0	13.0	38.0	110°	/	/	2.0	/	G85234
K23-82001	28.5									
K23-84001	29.0									
K23-83001	34.7									
K23-84002	35.0									
K23-72001	42.0	20.0	12.0	50.0	70°	0.2	1.5	1.5	1.5	G2076

MORE INFORMATION

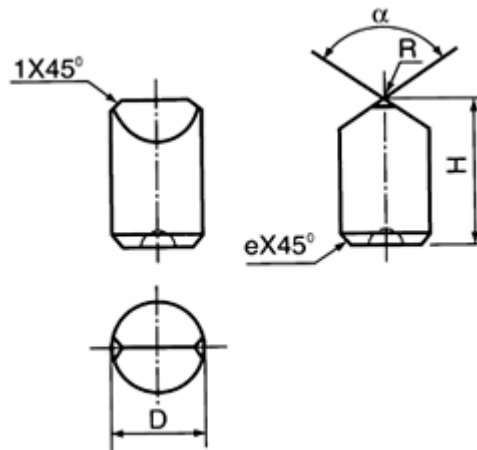
Web: www.carbide tungsten.com

Email: ebiz@ctia.com.cn

Mining bits type K30



Tungsten carbide Mining bits K30



mm

Type	Dimension					Note
	D	H	α	R	e	
K3008	8.0	14.0	110°	/	1.0	/
K30-96501	9.2	16.7	80°	0.7	1.6	W96063
K3010	10.0	16.0	110°	/	1.0	/
K3012	12.0			/		/
K3014	14.0	18.0		/		/
K3016	16.0	20.0		/		/
K3016A		22.0		/		/
K3018	18.0	20.0		/		/

MORE INFORMATION

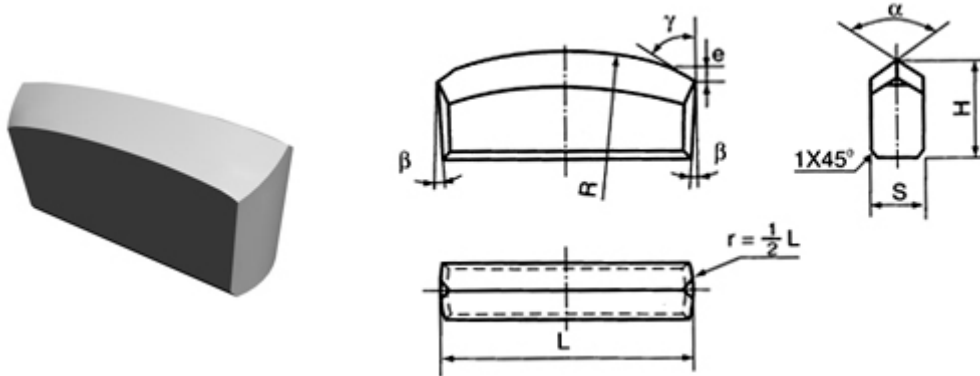
Web: www.carbidestungsten.com

Email: ebiz@ctia.com.cn

Mining bits type K0



[Tungsten carbide Mining bits K0](#)



mm

Type	Dimension								Note
	L	H	S	R	α	β	γ	e	
K0-95007	20.0	15.0	7.0	180.0	110°	3°	/	/	G95207
K0-95008	22.0						/	/	G95208
K0-97004	24.0	13.0	/				/	G97227	
K026	36.0	18.0	8.0				/	/	/
K0-97005	28.0	13.0	7.5				/	/	G97228
K028		18.0	8.0				/	/	/
K0-99013	30.0	13.0	7.0				/	/	/
K030		18.0	/				/	/	
K0-99501	30.2	12.2	8.0				/	/	K030-12
K0-98009	32.0	12.0					/	/	DK-9807
K032		18.0	/				/	/	
K0-98014	33.0	16.0	9.2				/	/	DK-9825
K0-99011	34.0	12.0	8.0				40°	1.5	/
K034		18.0	10.0				/	/	/
K0-99015	36.0	13.5	7.5				/	/	/
K0-98005	36.0	14.5	9.0				/	/	G98132
K036		18.0	/	/	/				
K0-91008	38.0	11.0	10.0	/	/	G91999			

MORE INFORMATION

Web: www.carbide tungsten.com

Email: ebiz@ctia.com.cn

K0-98007		14.5	9.0				/	/	G98131
K0-93002		15.0	8.0				/	/	G93194
K038	39.0	18.0	10.0				/	/	the same as G89122
K0-91501		17.3					/	/	W91023
K0-99030		13.5	9.0				/	/	/
K040B	40.0	15.0	10.0				/	/	/
K0-96007		17.0	9.5				/	/	G96063
K040		18.0	10.0				/	/	/
K0-91006	41.0		12.0				/	/	G91541
K0-96009	42.0	12.5	10.0				/	/	G96085
K0-96013		13.5	9.2				/	/	G96127
K0-94002	43.0	15.0	9.0				/	/	G94546
K015B			10.0				/	/	/
K044	44.0	18.0					/	/	/
K0-93006		15.0					/	/	G93906
K046	46.0	18.0					/	/	/
K0-76001		20.0	12.0				/	/	G6005-B
K0-76003							/	/	G6105
K049	49.0	18.0					/	/	/
K051	51.0		10.0				/	/	G55185
K0-76002	60.0	22.0					/	/	G6104

MORE INFORMATION

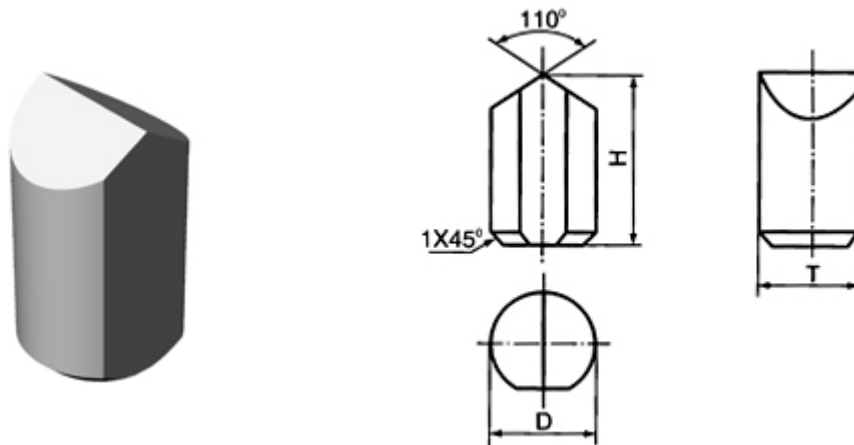
Web: www.carbide tungsten.com

Email: ebiz@ctia.com.cn

Mining bits type K2



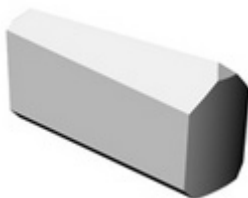
[Tungsten carbide Mining bits K2](#)



mm

Type	Dimension			Note
	D	H	T	
K208	8.0	16.0	7.6	/
K210	10.0		9.3	/
K212	12.0		11.0	/

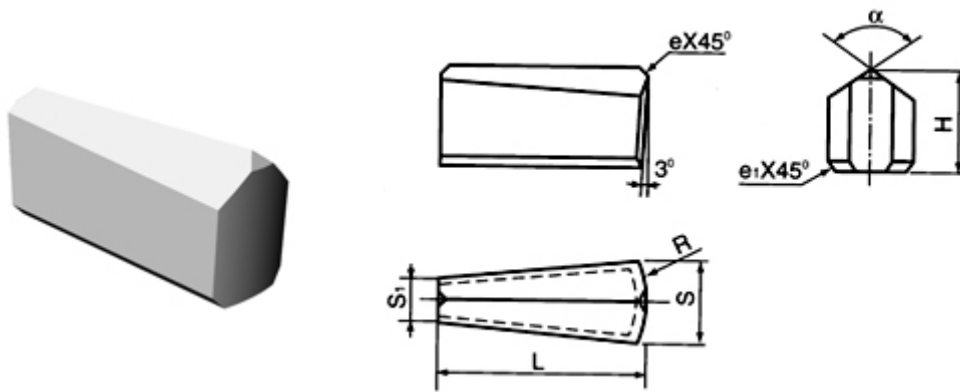
Mining bits type K3



[Tungsten carbide Mining bits K3](#)

MORE INFORMATION

Web: www.carbidestungsten.com
 Email: ebiz@ctia.com.cn



mm

Type	Dimension								Note
	L	H	S	S1	R	α	e1	e	
K318	18.0	18.0	10.0	4.0	21.0	110°	1.0	1.0	/
K345	45.0	20.0	14.0	8.0	55.0	110°	2.0	1.5	G2077

MORE INFORMATION

Web: www.carbidestungsten.com

Email: ebiz@ctia.com.cn