

**CATALOG OF TUNGSTEN CARBIDE DRILLING BITS**

Anvils and Pressure Cylinders

Date of Preparation: 08/19/2011

Revision 2011

Reason for Issue: Updated Format

---

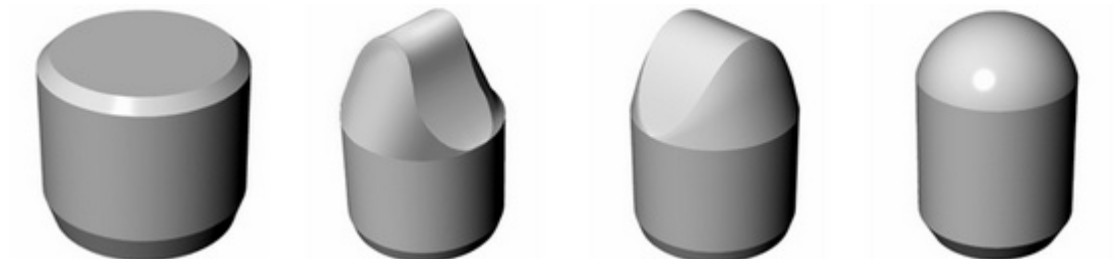
Chemical Name: Tungsten Carbide

Chemical Family: Refractory Metal (non-ferrous metal)

*Chemical Formula:* WC

*Manufacturer:* E-Biz Center of China Tungsten Industry Association

---



MORE INFORMATION

Web: [www.carbide tungsten.com](http://www.carbide tungsten.com)

Email: [ebiz@ctia.com.cn](mailto:ebiz@ctia.com.cn)

# PRODUCTS CONTENTS

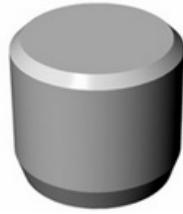
Drilling bits type CP.....	2
Drilling bits type CB.....	3
Drilling bits type CS.....	4
Drilling bits type CE.....	5
Drilling bits type CZ.....	6
Drilling bits type CQ.....	7
COMPANY INFORMATION.....	8

MORE INFORMATION

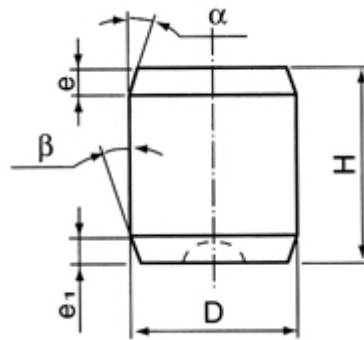
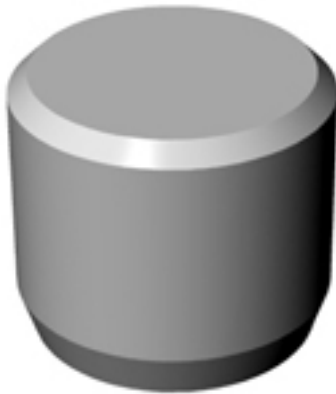
Web: [www.carbidestungsten.com](http://www.carbidestungsten.com)

Email: [ebiz@ctia.com.cn](mailto:ebiz@ctia.com.cn)

# Drilling bits type CP



Tungsten carbide drilling bits Type CP (Flat Button)



mm

Type	Dimension						Note	
	D	H	$\alpha$	$\beta$	e1	e		
CP0507	5.0	7.0	45°	18°	1.0	0.5	P-1	
CO0707	7.0						1.0	P-3
CP0708		8.0				1.0		P-2
CP0806	8.0	6.0			1.2	0.5	P-6	
CP0807		7.0	CP-9803					
CP0815		15.0	/	15°	1.0	/	G90346	
CP0907	9.0	7.0	/		1.2	/	P-4	
CP-97001	9.5	8.5	45°	18°	1.5	0.5	G97102	
CP1008		8.0			1.2	1.0	P-5	
CP-77004	10.0	9.5		45°	18°	0.5	0.5	G7163
CP-98008		10.0				1.5	2.0	CP-9805
CP1109	11.2	9.2		18°	1.2	1.0	G85277	
CP-92001	12.0	10.0		15°	1.5	1.5	G92297	
CP212	12.3	12.3					1.5	K87-004-3

MORE INFORMATION

Web: [www.carbidestungsten.com](http://www.carbidestungsten.com)

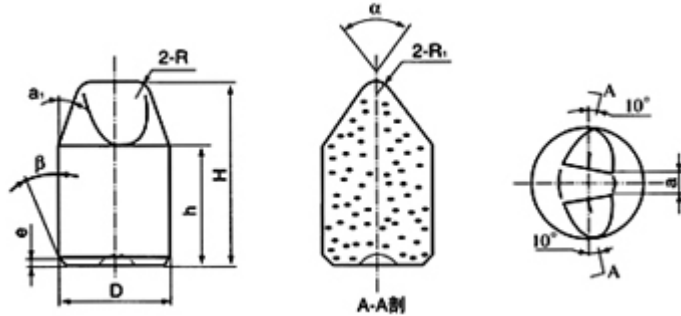
Email: [ebiz@ctia.com.cn](mailto:ebiz@ctia.com.cn)

CP-98009	15.0	10.0	45°	1.1	1.1	CP-9804
----------	------	------	-----	-----	-----	---------

# Drilling bits type CB



Tungsten carbide drilling bits Type CB (Special Wedge Button)



mm

Type	Dimension										Note
	D	H	R	R1	h	a	a1	β	a	e	
CB1215	12.0	15.0	2.0	2.5	9.5	80°	18°	18°	3.0	1.2	G95026
CB1217		17.0			11.0	70°					G95118
CB1316	13.0	16.5	1.8		10.5	75°	21°		4.0	1.5	CB-9801
CB-96001		18.0	2.0		18°		3.0		1.2	G96345	
CB1418	14.0	19.0	2.0	3.0	12.0	80°	20°	15°	4.0	1.5	10X
CB1419		19.0	2.0			75°	5.0		11X		
CB1520	15.0	20.0	2.5		12.5	75°	18°	18°	3.5	2.2	G89066
CB1621	16.0	21.0			13.5		20°		4.0	1.8	G84213
CB1827	18.0	27.0	3.0	18.0	70°	23°	6.0		2.0	G85274	
CB1924	19.0	24.0	3.5	15.0	17.0	20°	18°		4.5	1.8	G84242
CB2230	22.0	30.0		60°		18°		2.2		G87349	

MORE INFORMATION

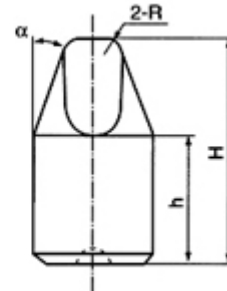
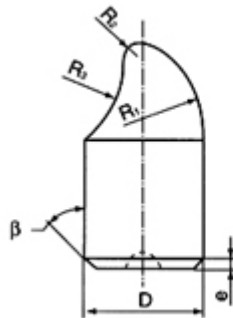
Web: [www.carbidestungsten.com](http://www.carbidestungsten.com)

Email: [ebiz@ctia.com.cn](mailto:ebiz@ctia.com.cn)

# Drilling bits type CS



Tungsten carbide drilling bits Type CS (Spoon-like Button)



mm

Type	Dimension										Note
	D	H	R	R1	R2	R3	h	$\alpha$	$\beta$	e	
CS1115	11.0	15.0	2.5	12.0	2.5	8.0	8.0	18°	18°	1.2	G96004
CS1217	12.0	17.0		20.0	2.0	12.0	10.0				G96344
CS1318	13.0	18.0	3.0	15.0	3.0	5.0	11.0		15°		G90342
CS1418	14.0	18.3		16.0	2.5	8.0	9.6				G90344
CS-92001	15.0	19.0	2.5	13.0	4.0	5.0	11.0		10°		G92026
CS1519	15.0	19.0	3.0	18.0	2.3	9.0	10.0				G90345
CS-96002	16.0	22.5		20.0	2.5	10.0	11.9		15°		1.3
CS1623	16.0	23.0	2.5	23.0		15.0	12.0				G83125
CS1724	17.0	24.0	3.0	25.0	3.0		13.0		20°		1.8
CS1727	17.0	27.0	2.5	28.0	2.5	20.0	14.0		18°		
CS1825	18.0	25.5	3.0	23.0	3.0	15.0	13.5	15°	1.4	G92688	
CS1929	19.0	29.0		24.0		17.0	2.0		CS-9806		
CS1930	19.0	30.0		25.0	16.0	17.0	2.2		G84241		
CS1933	19.0	33.0		27.0	18.0	1.5	G89312				
CS2545	25.0	45.0	4.0	35.0	3.5	30.0	23.0	13°	1.8	G87351	

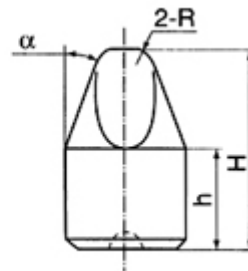
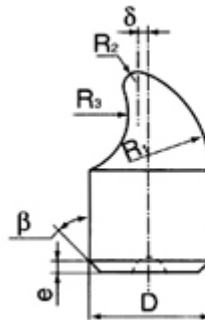
MORE INFORMATION

Web: [www.carbide tungsten.com](http://www.carbide tungsten.com)  
 Email: [ebiz@ctia.com.cn](mailto:ebiz@ctia.com.cn)

# Drilling bits type CE



Tungsten carbide drilling bits Type CE (Wedge Button)



mm

Type	Dimension									Note
	D	H	h	R	R1	$\alpha$	$\beta$	$\gamma$	e	
CE0811	8.0	11.0	7.5	1.8	1.5	90°	18°	15°	1.2	CX-9801
CE-94001		111.5	6.5	2.0		62°	°	20°	1.3	G94039
CE1013	10.0	13.0	8.0	3.0	2.5	70°	20°	22o30'	1.5	G83126
CE-96001	11.0		9.0	2.8		3.0		90°		16o30'
CE-96002		15.0	8.0		65°		20°	G83127		
CE1217	12.0	17.0	10.5	3.5	3.0	70°	18°	22o30'	1.6	GX1
CE1520	15.0	20.0	12.0	3.0	3.0	80°		1.8	G82420	
cE1623A	16.0	23.0	13.0	4.0	3.5	60°	18°	22o30'	2.2	G82419
CE1721	17.0	21.0				3.5	80°			18°
CE1724		24.0	3.5	60°	G83545					
CE1929	19.0	29.0	17.0	4.0	3.0	60°	15°	1.5°	G86004	
CE2030	20.0	30.0	16.0	3.0	1.5	62°	20°	2.2	G87116	
CE2235	22.0	35.0	19.0	3.5	2.5	60°	13°	G94614		
CE2537	25.0	37.0	20.0	3.0	1.5	62o30'	18°	22o30'	2.2	G87117
CE2539		39.0				60°				G87118

MORE INFORMATION

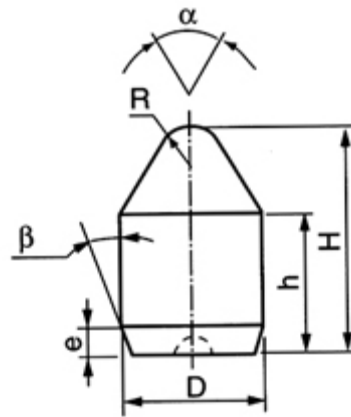
Web: [www.carbidestungsten.com](http://www.carbidestungsten.com)

Email: [ebiz@ctia.com.cn](mailto:ebiz@ctia.com.cn)

# Drilling bits type CZ



Tungsten carbide drilling bits Type CZ (Tapered Button)



mm

Type	Dimension							Note
	D	H	h	R	$\alpha$	$\beta$	e	
CQ-97012	6.0	8.0	4.8	2.5	47°30'	20°	1.3	G97490
CZ-95003	8.0	10.0	6.5	3.0	70°	18°	1.5	G95070
CZ-99001		12.0	6.0	2.5	41°30'	45°	1.0	/
CZ-98001	9.0	14.0	8.0	2.0	57°54'		20°	0.5
CZ-99010	10.0	12.0	7.0	2.9	70°	20°	1.0	/
CZ1116	11.0	16.0	10.0	2.0	75°	18°	1.6	G85037
CZ1216	12.0			17.0	4.5		60°	1.5
CZ1217		3.4	1.5		CZ-99002			
CZ-99007		20.1	14.5	4.0	55°	45°	1.0	/
CZ1418	14.0	18.5	10.0	3.6	60°	18°	1.5	CZ-99003
CZ-99006		22.0	14.0	4.0	59°30'		2.5	/
CZ-99005	15.9	28.0	18.0	5.0	64°	18°	3.5	/
CZ1621	16.0	21.5	14.3	7.5	45°	18°	1.6	G97587
CZ1622		22.0	11.5	3.4	60°		1.8	CZ-99004
CZ1625		25.0	15.5	4.0			1.6	G94727

MORE INFORMATION

Web: [www.carbidestungsten.com](http://www.carbidestungsten.com)

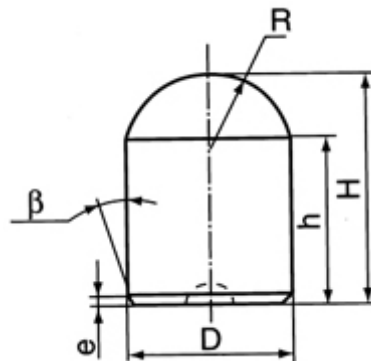
Email: [ebiz@ctia.com.cn](mailto:ebiz@ctia.com.cn)

CZ1625A		25.5	16.5	6.5	45°			G97588
CZ-97009		28.0	19.5	2.0	76°	45°	2.0	G97497
CZ86001	18.0	26.0	15.5	6.5	50°		1.5	G786231
CZ1926			14.7	7.5	42°	18°	1.6	G95143
CZ1927	19.0	27.0	14.1	6.5	43°			G95142
CZ1931		31.0	16.0	4.0	50°			G97589
CZ-85004	20.0		21.0	2.0	80°	45°	2.0	G85053

## Drilling bits type CQ



Tungsten carbide drilling bits Type CQ (Spherical Button)



mm

Type	Dimension						Note
	D	H	R	h	$\beta$	e	
CQ-80001	4.5	10.5	2.3	8.7	/	/	G08264
CQ-74001	6.0	8.0	3.1	5.5	45°	0.7	G4049A
CQ-84001	8.0		4.1				0.3
CQ1313	13.0	13.5	6.7	8.0		18°	1.5
CQ1315		15.5	6.5	10.0	G97031		
CQ1415	14.0	15.0	7.4				

MORE INFORMATION

Web: [www.carbidestungsten.com](http://www.carbidestungsten.com)

Email: [ebiz@ctia.com.cn](mailto:ebiz@ctia.com.cn)



CQ1727	17.6	27.0	9.0	19.9	45°	1.0	G55219
CQ1825	18.0	25.0		16.0	30°	1.4	G92288

MORE INFORMATION

Web: [www.carbide tungsten.com](http://www.carbide tungsten.com)

Email: [ebiz@ctia.com.cn](mailto:ebiz@ctia.com.cn)