

Coal Cutting Bits

Date of Preparation: 08/18/2011

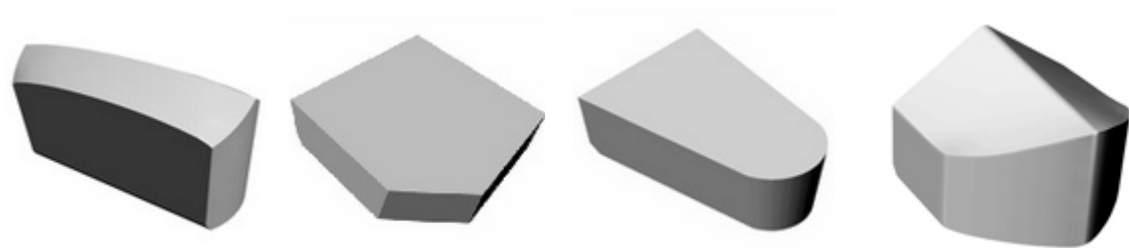
Reason for Issue: Updated Format

Chemical Name: Tungsten Carbide

Chemical Family: Refractory Metal (non-ferrous metal)

Chemical Formula: WC

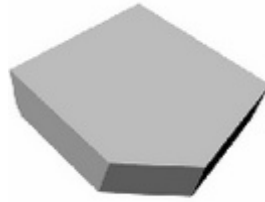
E-Biz Center of China Tungsten Industry Association



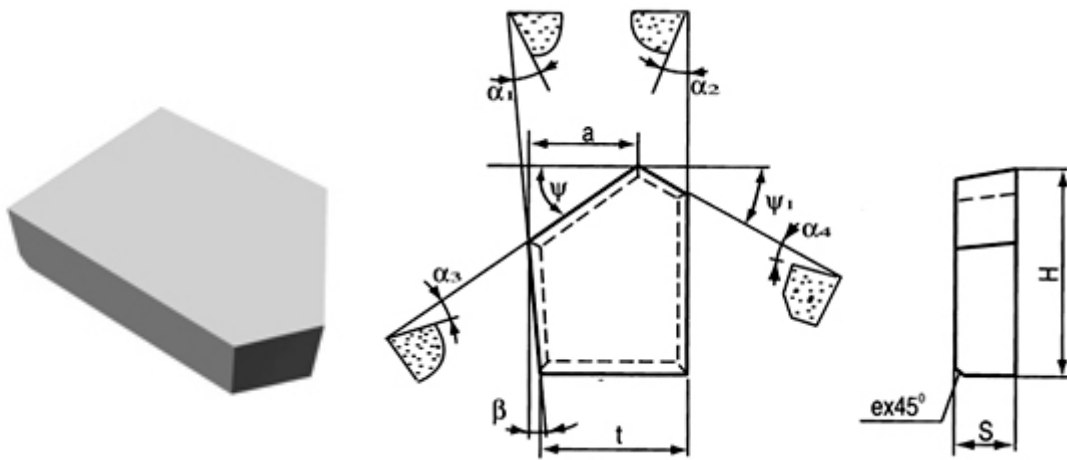
PRODUCTS CONTENTS

| | |
|---------------------------------|----|
| Coal cutting bits type M10..... | 3 |
| Coal cutting bits type M11..... | 4 |
| Coal cutting bits type M12..... | 5 |
| Coal cutting bits type M13..... | 6 |
| Coal cutting bits type M14..... | 7 |
| Coal cutting bits type M15..... | 8 |
| Coal cutting bits type M17..... | 9 |
| Coal cutting bits type M18..... | 10 |
| Coal cutting bits type M19..... | 11 |
| Coal cutting bits type M20..... | 12 |
| Coal cutting bits type M21..... | 13 |
| Coal cutting bits type M22..... | 14 |
| Coal cutting bits type M23..... | 14 |
| Coal cutting bits type M24..... | 15 |
| Coal cutting bits type M26..... | 17 |
| Coal cutting bits type M27..... | 17 |
| Coal cutting bits type M28..... | 18 |
| Coal cutting bits type M29..... | 19 |
| COMPANY INFORMATION..... | 20 |

Coal cutting bits type M10



Coal cutting bits M10



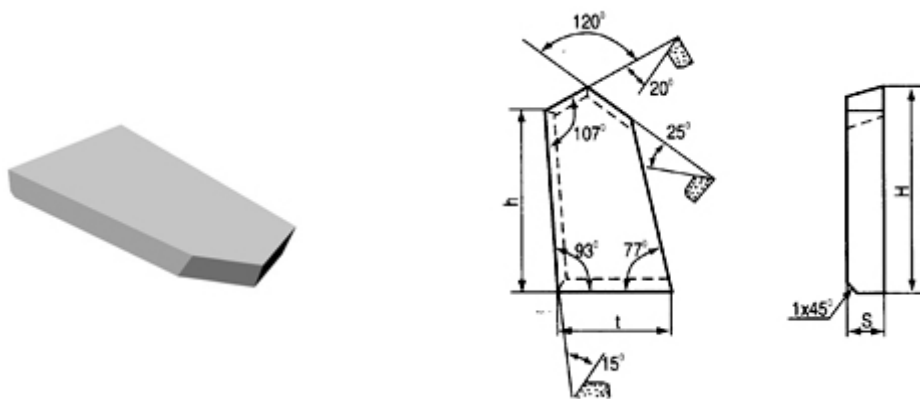
mm

| Type | Dimension | | | | | | | | | | | | Note | | |
|-----------|-----------|------|-----|------|--------|----------|------------|------------|------------|------------|---------|--------|--------|--------|------------|
| | t | H | S | a | ψ | ψ_1 | α_1 | α_2 | α_3 | α_4 | β | e | | | |
| M1011L | 11.0 | 13.5 | 3.0 | 4.5 | 24o46' | 35° | 15° | 3° | 15° | 15° | 3° | / | G87047 | | |
| M1012R | 12.0 | 14.0 | 3.5 | 8.0 | 30° | 30° | | 15° | | | | 15° | 15° | 1.0 | G87110 |
| M1013R | 13.5 | 13.5 | 3.0 | 7.5 | 21o48' | 26o34' | 3° | / | 20° | 20° | 3° | / | G87048 | | |
| M10-93001 | 15.0 | 15.0 | | 5.0 | 35° | 30° | / | | | | | G93198 | | | |
| M10-93002 | | | | 10.0 | 30° | 35° | 10° | | | | | / | G93199 | | |
| M10-97003 | | | | 19.0 | 10.0 | 30° | 35° | | | | | 10° | / | G97493 | |
| M10-97004 | | | | | 5.0 | 35° | 30° | | | | | / | 20° | 20° | 1.0 |
| M1015L | | | | 22.0 | 22.0 | 10.0 | 30° | | | | | 35° | / | 10° | S122 Left |
| M1015R | | | | | | | | | | | | | 10° | / | S122 Right |

Coal cutting bits type M11

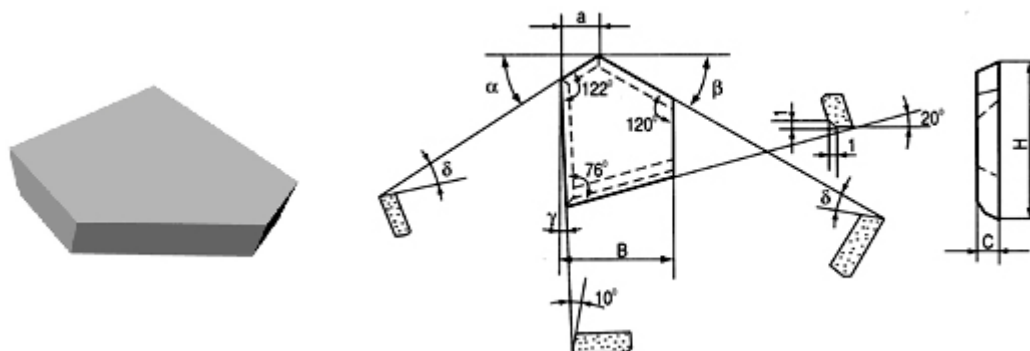


Coal cutting bits M11



mm

| Type | Dimension | | | | Note |
|-------|-----------|------|------|-----|------|
| | t | H | h | S | |
| M1113 | 13.4 | 26.0 | 23.8 | 3.0 | S226 |

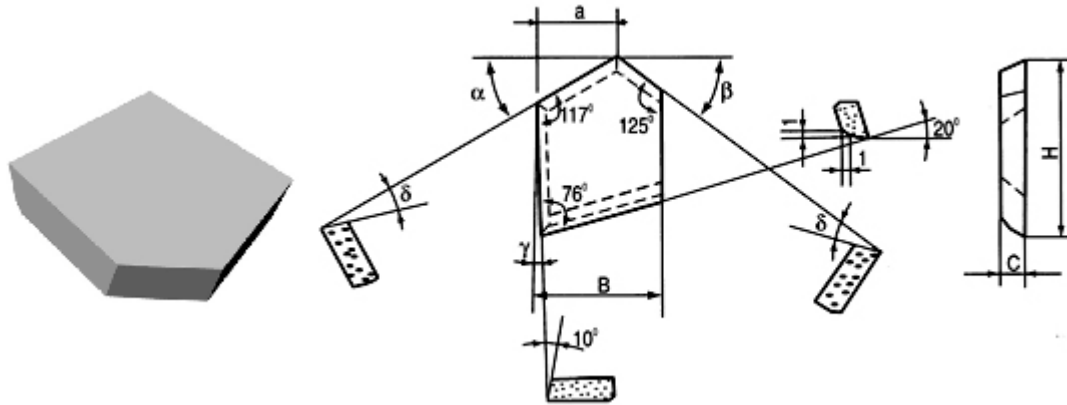


mm

| Type | Dimension | | | | | | | | Note |
|-----------|-----------|------|-----|----------|---------|----------|----------|-----|--------|
| | H | B | C | α | β | γ | δ | a | |
| M11-94001 | 21.0 | 15.0 | 3.0 | 35° | 30° | 3° | 20° | 5.0 | G94752 |

MORE INFORMATION

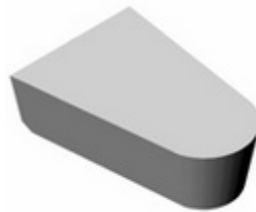
Web: www.carbidestungsten.com
Email: ebiz@ctia.com.cn



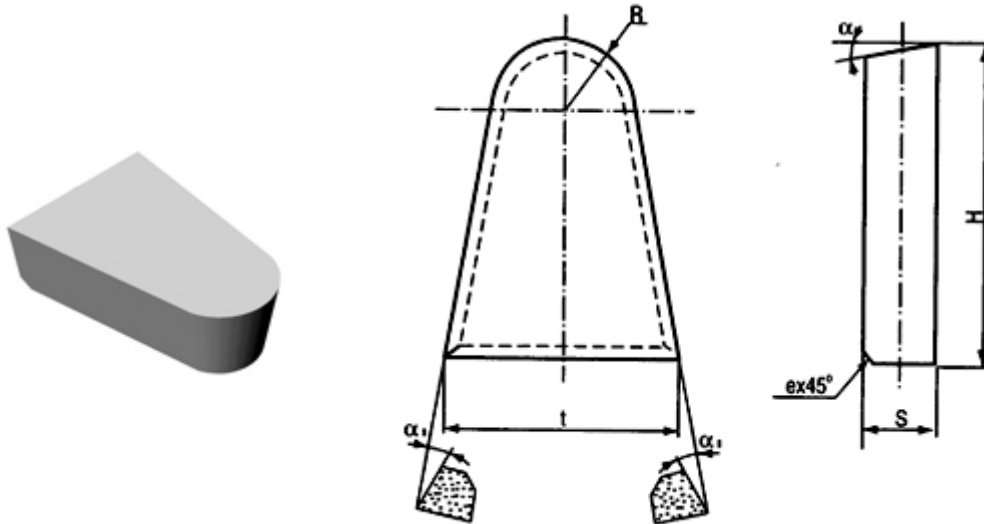
mm

| Type | Dimension | | | | | | | | Note |
|-----------|-----------|------|-----|------------|------------|-----------|------------|------|--------|
| | H | B | C | α | β | γ | δ | a | |
| M11-94002 | 21.0 | 15.0 | 3.0 | 30° | 35° | 3° | 20° | 16.0 | G94753 |

Coal cutting bits type M12



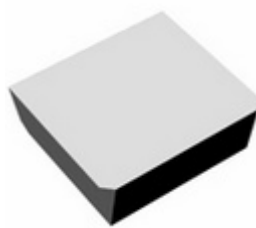
Coal cutting bits M12



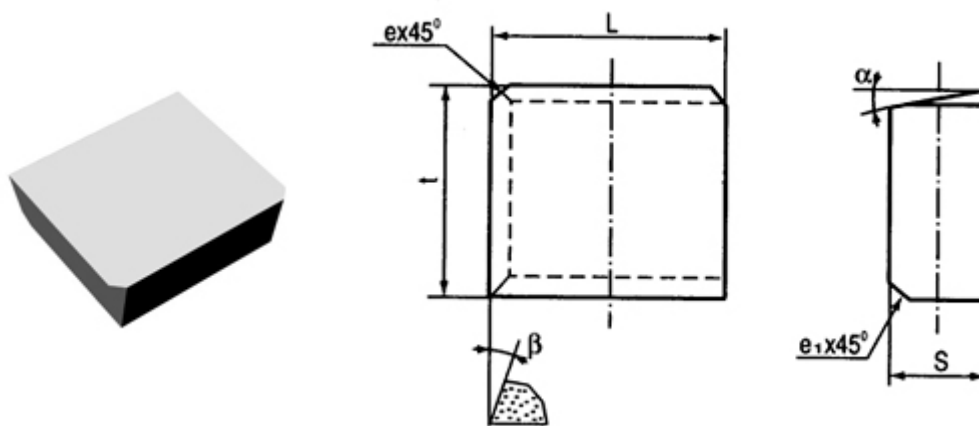
mm

| Type | Dimension | | | | | | | Note |
|-------|-----------|------|------|-----|----------|------------|-----|--------|
| | t | H | S | R | α | α_1 | e | |
| M1215 | 15.5 | 22.0 | 7.0 | 5.0 | 15° | 4° | 1.5 | G83556 |
| M1222 | 22.0 | 22.5 | 7.5 | 9.5 | 11° | / | | G81034 |
| M1230 | 30.0 | 35.0 | 12.0 | 8.0 | 8° | 8° | 1.0 | X7406 |

Coal cutting bits type M13



Coal cutting bits M13



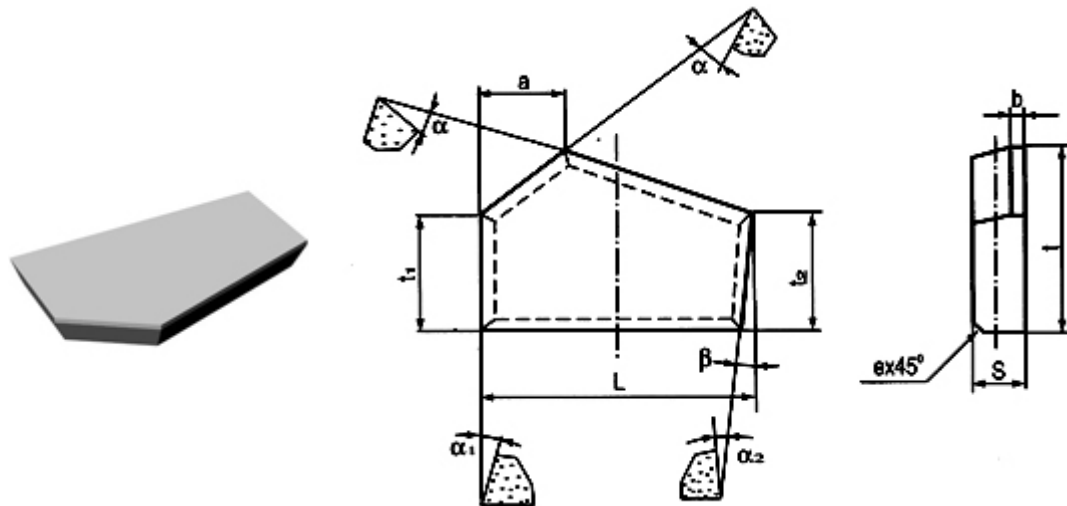
mm

| Type | Dimension | | | | | | | Note |
|-----------|-----------|------|-----|----------|---------|-----|-----|----------|
| | L | t | S | α | β | e | e1 | |
| M1314 | 14.0 | 16.0 | 6.0 | 15° | / | / | 1.0 | G90109 |
| M13-98001 | 15.0 | 10.0 | 3.0 | | 15° | / | / | MP-98001 |
| M1317 | 17.5 | 15.5 | 6.0 | 10° | 10° | 1.0 | 1.0 | G81168 |
| M1319 | 19.0 | 16.0 | | 8° | | 1.0 | | G81169 |

Coal cutting bits type M14



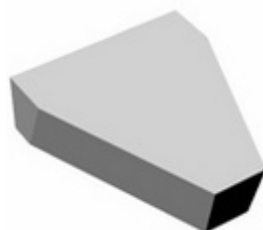
Coal cutting bits M14



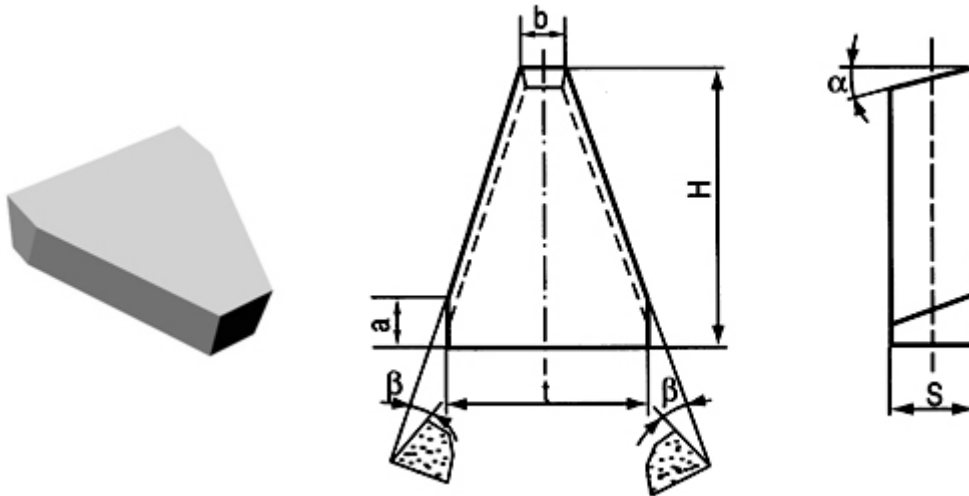
mm

| Type | Dimension | | | | | | | | | | | Note | |
|-----------|-----------|------|-----|------|------|------|-----|-----|-----|----|---|-------|---------|
| | L | t | S | a | t1 | t2 | a | a1 | a2 | β | b | | e |
| M1425 | 25.0 | 15.0 | 3.0 | 12.5 | 10.0 | 10.0 | 15° | 15° | 15° | / | / | / | MP-9804 |
| M1427L | 27.5 | 22.0 | 4.5 | 12.0 | 11.0 | 15.0 | 10° | 5° | / | 2° | / | / | G84246 |
| M1428R | 28.0 | 18.0 | 8.0 | 19.0 | 14.0 | 16.0 | 14° | 14° | / | / | / | / | G88117 |
| M1443L | 43.0 | 21.0 | | 18.0 | 12.0 | 10.0 | 8° | / | / | / | / | 1.0 | G83305 |
| M14-77001 | | 23.0 | | 18.2 | 14.9 | 12° | 12° | / | / | / | / | G7264 | |
| M1445L | 45.0 | 27.0 | 9.0 | 15.0 | 18.0 | 18.0 | 10° | 10° | / | / | / | 1.0 | X7402 |
| M1445LA | | | | 22.5 | | | | | / | / | / | | X7403 |
| M1445R | | | | 30.0 | | | | | / | / | / | | X7401 |

Coal cutting bits type M15



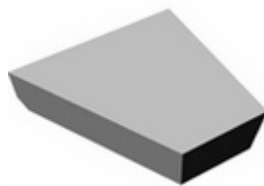
Coal cutting bits M15



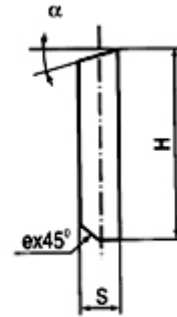
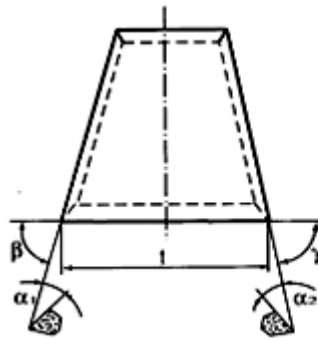
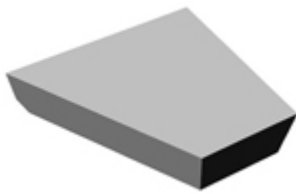
mm

| Type | Dimension | | | | | | | Note |
|-------|-----------|------|-----|----|----|-----|-----|--------|
| | H | t | S | a | β | a | b | |
| M1521 | 26.0 | 21.0 | 7.0 | 6° | 6° | 6.0 | 6.0 | G85261 |

Coal cutting bits type M17



Coal cutting bits M17



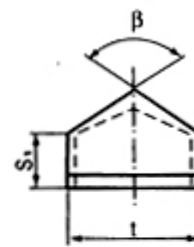
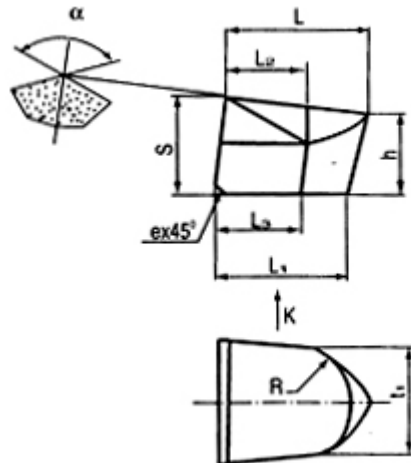
mm

| Type | Dimension | | | | | | | | | Note |
|-------|-----------|------|-----|-----|-----|-----|-----|-----|-----|----------|
| | H | t | S | a | a1 | a2 | β | γ | e | |
| M1715 | 15.0 | 15.0 | 3.0 | 16° | 10° | 10° | 76° | 83° | 1.0 | LS88-012 |

Coal cutting bits type M18



Coal cutting bits M18



mm

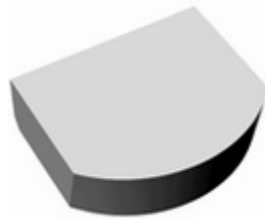
| Type | Dimension | | | | | | | | | | | | | Note |
|-------|-----------|------|------|------|------|------|------|-----|------|------|------|------|-----|--------|
| | L | L1 | L2 | L3 | t | t1 | S | S1 | R | h | a | β | e | |
| M1820 | 22.0 | 22.0 | 13.0 | 12.5 | 22.0 | 20.0 | 16.7 | 9.0 | 25.0 | 14.0 | 128° | 110° | 1.0 | G81033 |

MORE INFORMATION

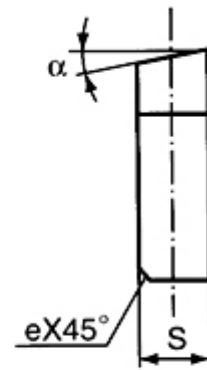
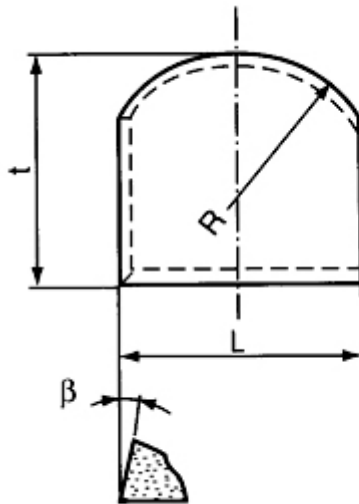
Web: www.carbidestungsten.com

Email: ebiz@ctia.com.cn

Coal cutting bits type M19



Coal cutting bits M19



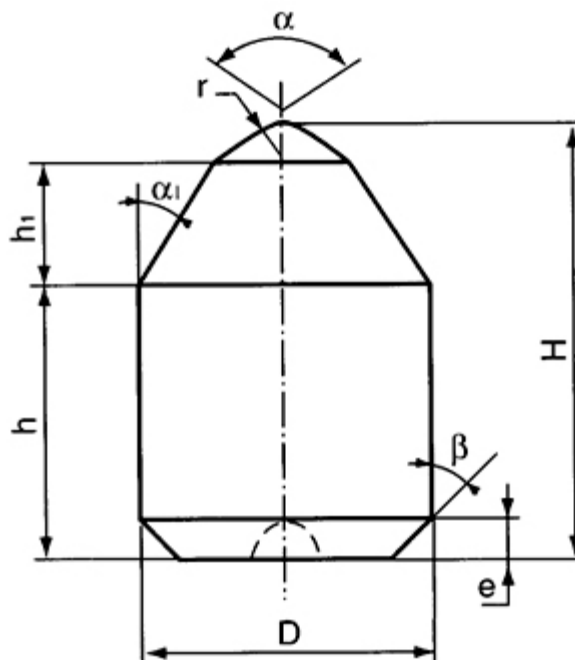
mm

| Type | Dimension | | | | | | | Note |
|-------|-----------|------|-----|------|------------|------------|-----|--------|
| | L | t | S | R | α | β | e | |
| M1922 | 22.0 | 19.0 | 6.0 | 65.0 | 15° | 5° | 1.0 | G90108 |
| M1928 | 28.0 | | | 22.0 | 10° | 10° | | G81170 |

Coal cutting bits type M20



Coal cutting bits M20



mm

| Type | Dimension | | | | | | | | | Note |
|-----------|-----------|------|------|-----|-----|----------|------------|---------|-----|--------|
| | D | H | h | h1 | r | α | α_1 | β | e | |
| M20-97001 | 14.8 | 20.5 | 12.5 | 4.0 | 2.0 | 90° | 35° | 45° | 1.5 | G97580 |
| M2018 | 18.0 | 30.0 | 20.0 | 6.0 | 1.5 | 80° | 30° | | 1.0 | X7404 |
| M20-98002 | | 35.0 | 28.0 | 4.0 | 2.5 | 110° | 45° | 62o30' | 3.5 | G98140 |

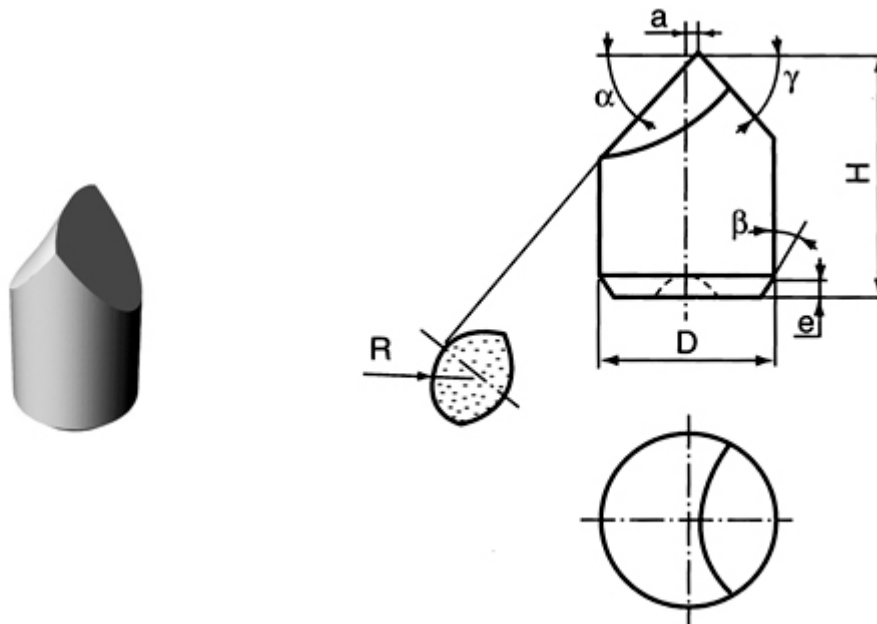
MORE INFORMATION

Web: www.carbidestungsten.com
Email: ebiz@ctia.com.cn

Coal cutting bits type M21



Coal cutting bits M21



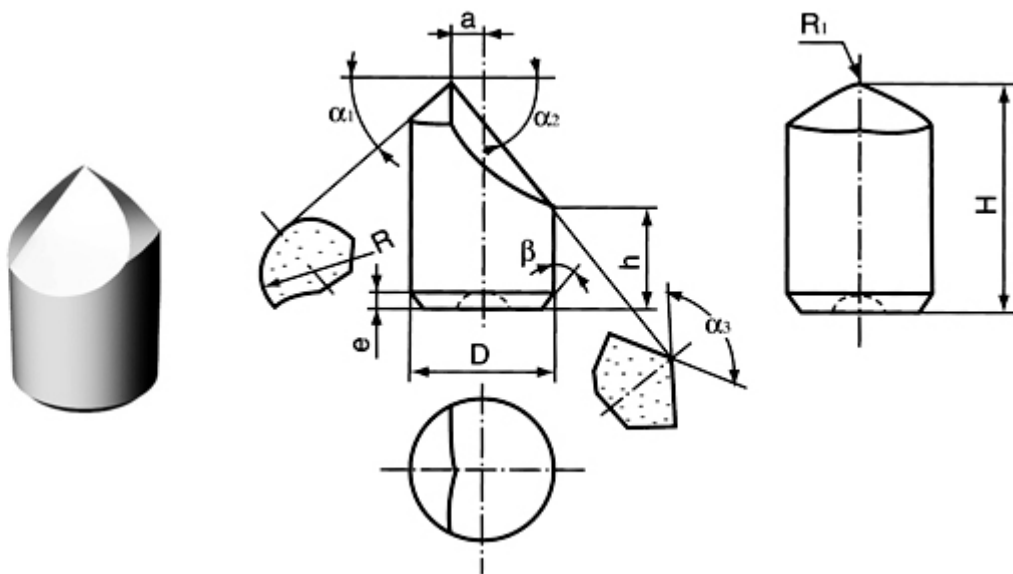
mm

| Type | Dimension | | | | | | | | Note |
|--------|-----------|------|-----|----------|---------|-----|---|-----|--------|
| | D | H | R | α | β | r | a | e | |
| M2110 | 10.0 | 18.0 | 8.0 | 53° | 30° | 53° | / | 1.0 | G87039 |
| M2110A | | 20.0 | 5.5 | 50° | 45° | 52° | / | | S410 |

Coal cutting bits type M22



Coal cutting bits M22



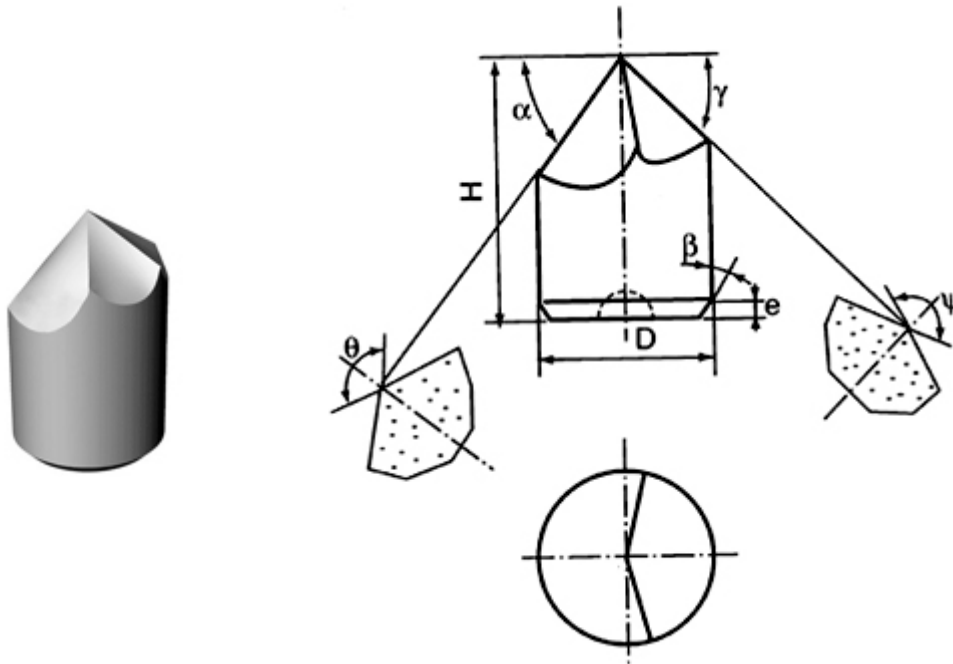
mm

| Type | Dimension | | | | | | | | | | | Note |
|--------|-----------|------|-----|-----|------|-----|------------|------------|------------|---------|-----|--------|
| | D | H | R | R1 | h | a | α_1 | α_2 | α_3 | β | e | |
| M2212 | 12.0 | 22.0 | 9.0 | 1.0 | 9.5 | 2.0 | 50° | 50° | 125° | 30° | 1.0 | G87036 |
| M2212A | 12.5 | 25.0 | | | 15.5 | 2.3 | 45° | 55° | | | | G08675 |

Coal cutting bits type M23



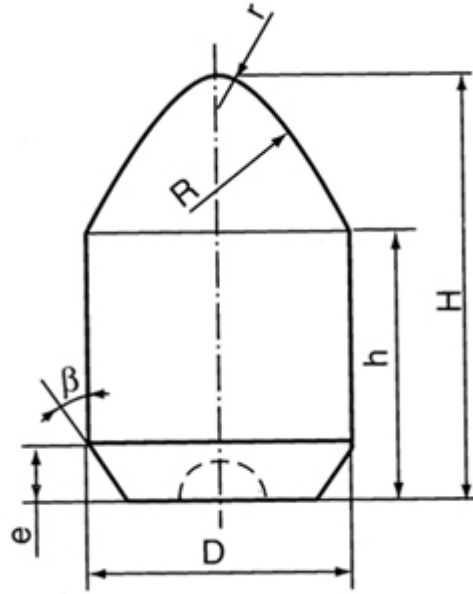
Coal cutting bits M23



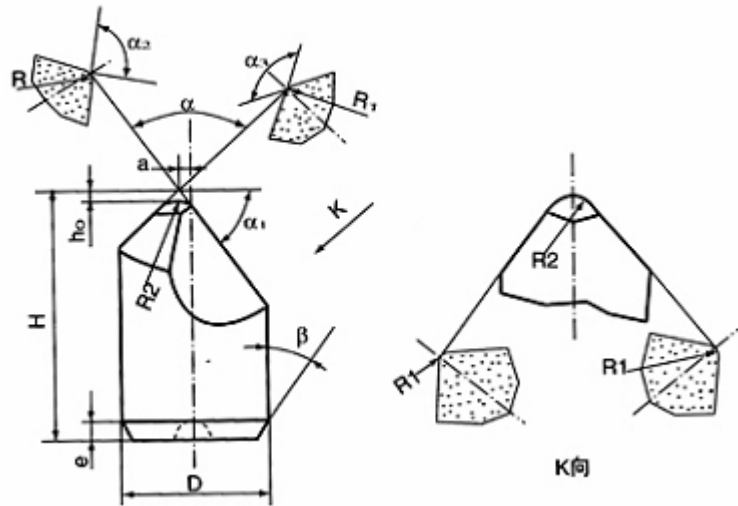
Coal cutting bits type M24



Coal cutting bits M24



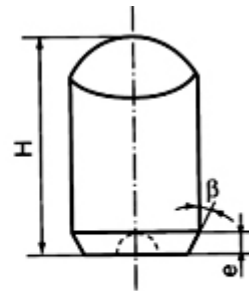
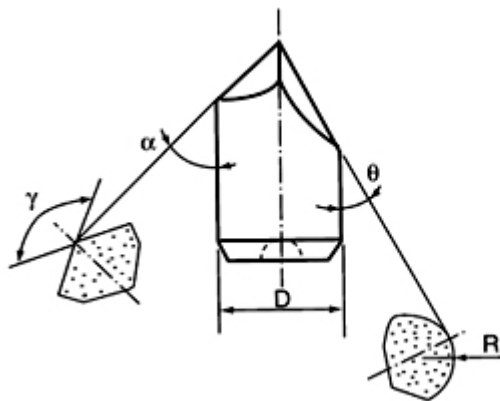
Coal cutting bits M25



Coal cutting bits type M26



Coal cutting bits M26



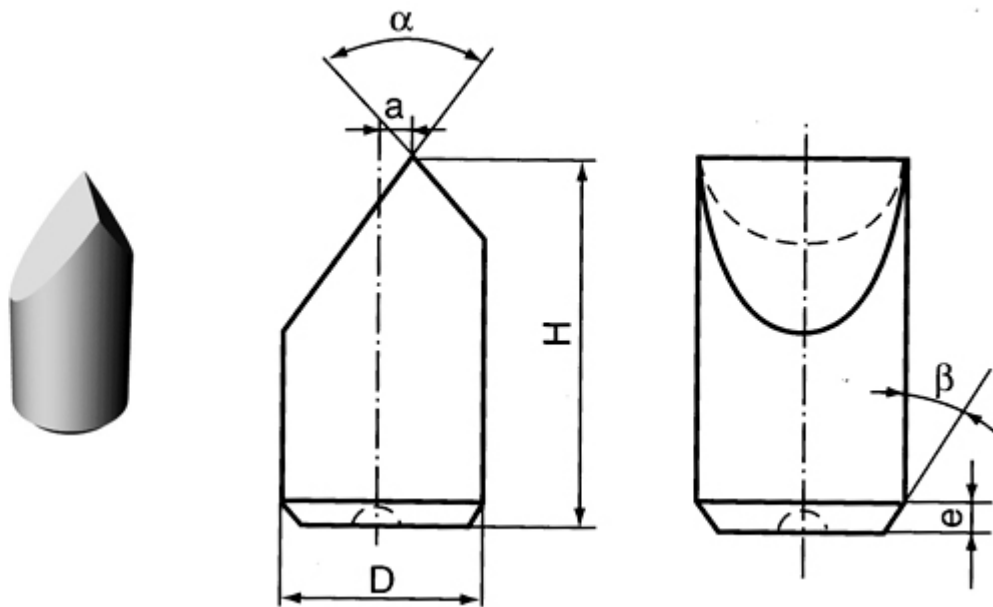
mm

| Type | Dimension | | | | | | | | Note |
|--------|-----------|------|------|--------|-----|------|--------|-----|--------|
| | D | H | R | α | β | γ | θ | e | |
| M2610 | 10.0 | 18.0 | 8.0 | 42° | 45° | 130° | 33° | 1.0 | G87035 |
| M2610A | | 20.0 | | | | | | | |
| M2618 | 18.6 | 27.5 | 11.0 | 37°30' | 30° | 125° | 37°30' | 3.0 | G84247 |

Coal cutting bits type M27



Coal cutting bits M27



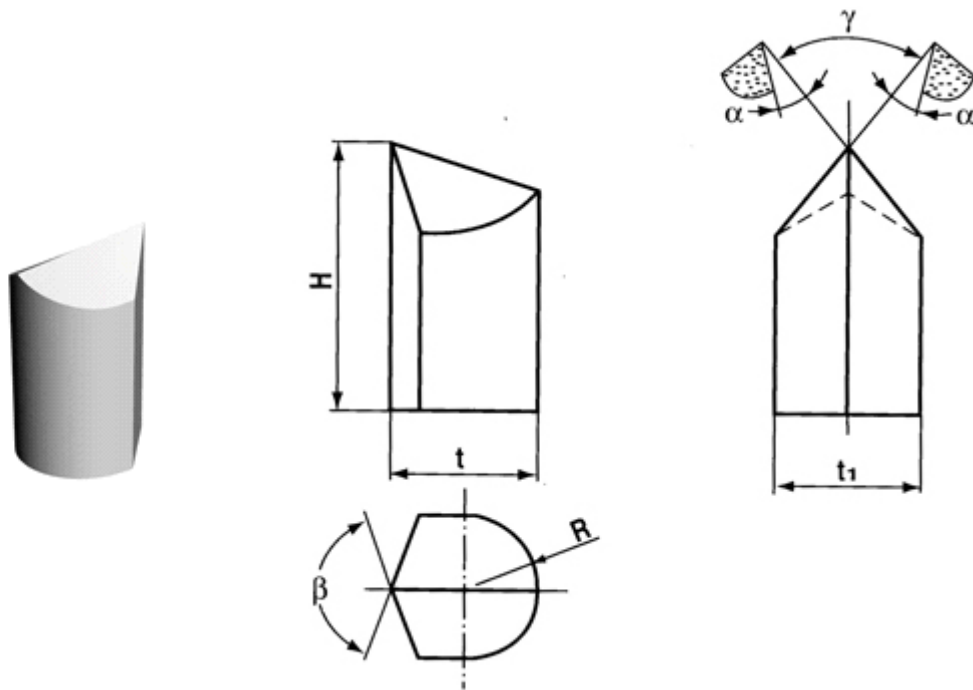
mm

| Type | Dimension | | | | | | Note |
|-----------|-----------|------|-----|----------|---------|----------|--------|
| | D | H | a | α | β | γ | |
| M2910 | 10.0 | 20.0 | 1.5 | 75° | 60° | 1.0 | G83150 |
| M29-77001 | | | | 65° | / | / | G7310 |

Coal cutting bits type M28



Coal cutting bits M28



mm

| Type | Dimension | | | | | | | Note |
|-------|-----------|------|------|-----|----|------|-----|--------|
| | t | t1 | H | R | α | β | γ | |
| M2812 | 12.5 | 12.0 | 20.0 | 6.0 | 7° | 100° | 90° | G83645 |

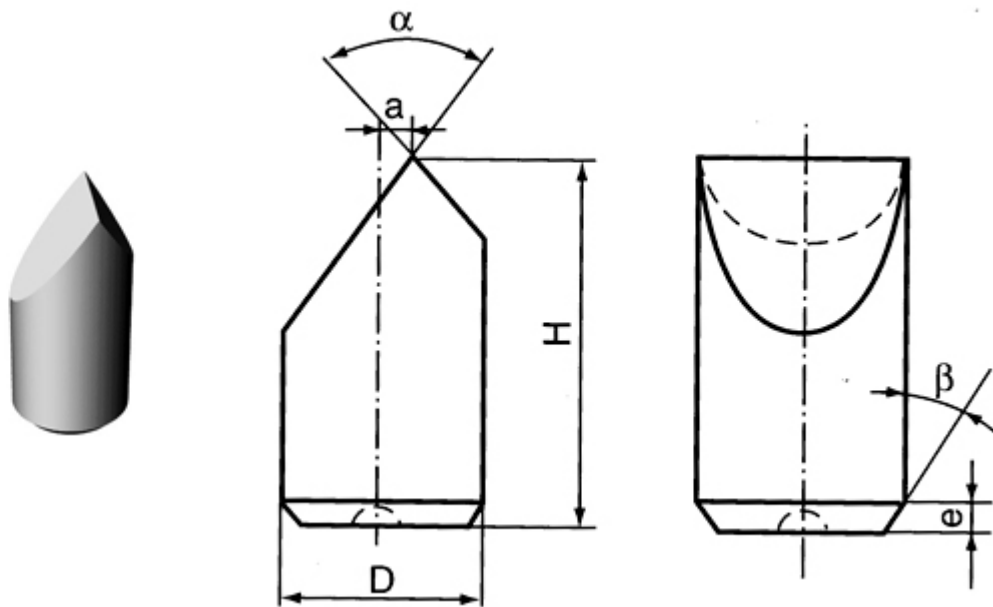
Coal cutting bits type M29



Coal cutting bits M29

MORE INFORMATION

Web: www.carbidestungsten.com
 Email: ebiz@ctia.com.cn



mm

| Type | Dimension | | | | | | Note |
|-----------|-----------|------|-----|----------|---------|----------|--------|
| | D | H | a | α | β | γ | |
| M2910 | 10.0 | 20.0 | 1.5 | 75° | 60° | 1.0 | G83150 |
| M29-77001 | | | | 65° | / | / | G7310 |