

CATALOG OF TUNGSTEN CARBIDE ANVILS AND PRESSURING CYLINDERS

Anvils and Pressure Cylinders

Date of Preparation: 08/19/2011

Revision 2011

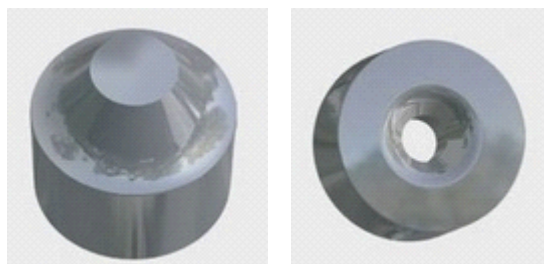
Reason for Issue: Updated Format

Chemical Name: Tungsten Carbide

Chemical Family: Refractory Metal (non-ferrous metal)

Chemical Formula: WC

Manufacturer: E-Biz Center of China Tungsten Industry Association



PRODUCTS CONTENTS

Recommend grades and applications.....	2
Grade, properties and recommended applications of tungsten carbide anvils and pressure cylinders.....	2
YL20.4 New grade for 6-facet anvils.....	3
YL30.4 New grade for big pressure cylinders over 70kgs.....	3
Tungsten carbide anvils.....	3
Tungsten carbide pressure cylinders.....	5
COMPANY INFORMATION.....	6

Recommend grades and applications



Grade, properties and recommended applications of tungsten carbide anvils and pressure cylinders

Grade	Density(g/cm ³)	hardness(HRA)	T.R.S(N/mm ²)	Application
YL10.3	14.95	90.5	2300	Special grade for 2-facet anvils
YL20.3	14.75	90	3000	Universal grade for 6-facet anvils with a higher hardness and TRS and the TRS will increase by 30% after the products are sintered at a low pressure.
YL20.4	14.75	90	3200	Special grade for 6-facet anvils of a diameter over 160mm with a higher hardness and TRS and good resistance to thermal cracking.
YL30.3	14.41	88.5	3400	For manufacturing pressure cylinders of a class of 30-50kgs

YL20.4 New grade for 6-facet anvils

Big anvils manufactured with WC of support quality, a new technology for controlling carbon content and a compatible method for controlling the process of cemented carbide possess a higher hardness and transverse rupture strength and are well resistant thermal cracking. It is a special grade for 6-facet anvils of diameters over 160mm.

MORE INFORMATION

Web: www.carbidestungsten.com

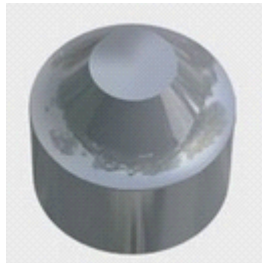
Email: ebiz@ctia.com.cn

YL30.4 New grade for big pressure cylinders over 70kgs

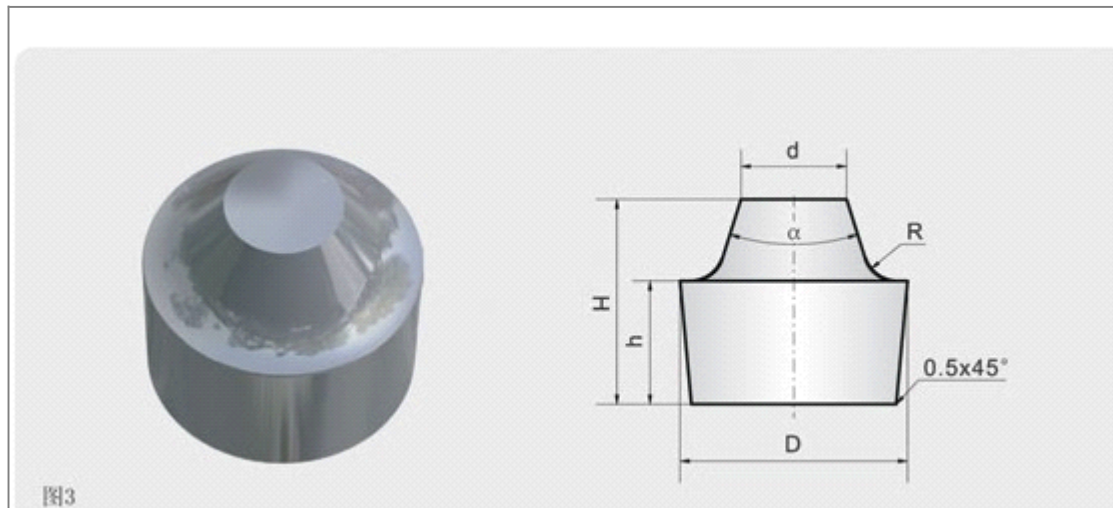
It is for manufacturing big pressure cylinders for 2-facet anvils with cavities of (65-75) mm with high tensile strength and higher hardness and stability in its structure. Products of the new grade are in the process of research and development.

Note: All of above is the recommended specifications, and sintered and finish machined products of other specifications are available based on customers' drawings or samples.

Tungsten carbide anvils



2-facet tungsten carbide anvils as sintered



Type	Dimensions(mm)								
	D	Tolerance	H	Tolerance	d	Tolerance	h	a	R
DC235	83.0	0~+1.5	76.5	0~+2.0	35.5	0~+1.5	47.75	60	25.4
DC242	111.2	0~+2.5	88.5	0~+2.0	42.5	0~+1.5	51.4	60	24.5
DC260	145.5	0~+2.5	107.5	0~+2.0	60.5	0~+1.5	65.0	50	30.0

MORE INFORMATION

Web: www.carbidestungsten.com
Email: ebiz@ctia.com.cn

Note: All of above is the recommended specifications, and sintered and finish machined products of other specifications are available based on customers' drawings or samples.

The description of anvils and pressure cylinders consists of codes with letters and numerals of meaning that are arranged in a certain order.

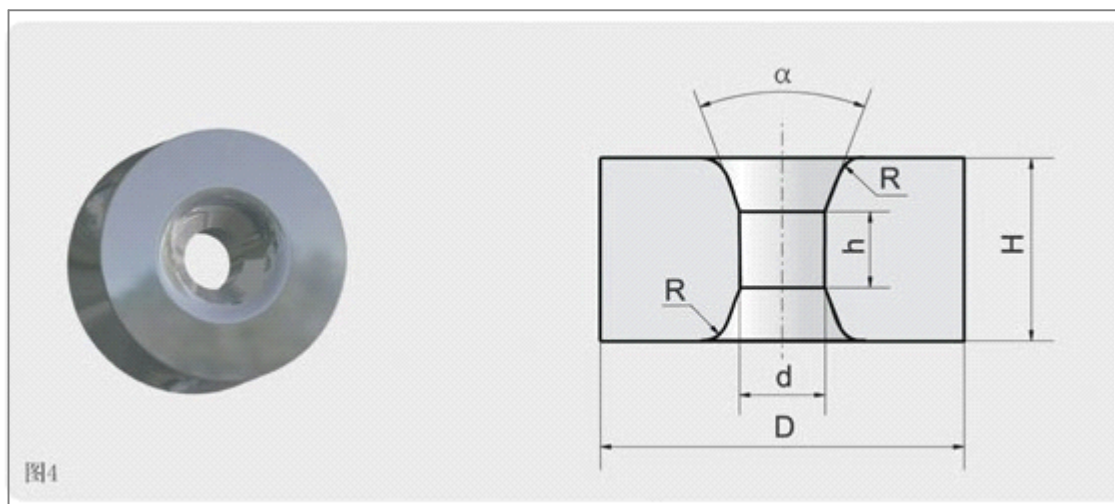
Code key for the description of sintered products

- The part is 2 Chinese phonetic alphabets indicating the name of sintered products. For example, DC indicates anvils and DG indicates pressure cylinders.
- The second part is one numeral indicating the category of sintered products. For example, 6-facet anvils are indicated by 6 and 2-facet anvils and pressure cylinders are indicated by 2.
- The third part with 2 numerals indicates the dimensions of the working facets of the anvils or the dimensions of the cavity of the pressure cylinders with only integers.

Tungsten carbide pressure cylinders



Tungsten carbide pressure cylinders as sintered



Type	Dimensions(mm)								
	D	Tolerance	H	Tolerance	d	Tolerance	h	a	R
DC250-1	171.5	-0.5~+2.5	111.5	0~+2.0	49.0	-2.0~0	54	59	24.5

MORE INFORMATION

Web: www.carbidestungsten.com
 Email: ebiz@ctia.com.cn

DC250-2	207.5	-0.5~+2.5	121.0	0~+2.5	49.0	-2.0~0	51	11	30.6
DC241	181.5	-0.5~+2.5	108.0	0~+2.5	40.0	-2.0~0	50	11	30.0
DC256	219.5	-0.5~+2.5	112.0	0~+2.5	55.0	-2.0~0	54	59	24.5
DC268	281.5	-0.5~+3.5	141.0	0~+2.5	67.5	-2.0~0	65	82	25.0

Note: All of above is the recommended specifications, and sintered and finish machined products of other specifications are available based on customers' drawings or samples.

Code key for the description of sintered products

- The part is 2 Chinese phonetic alphabets indicating the name of sintered products. For example, DC indicates anvils and DG indicates pressure cylinders.
- The second part is one numeral indicating the category of sintered products. For example, 6-facet anvils are indicated by 6 and 2-facet anvils and pressure cylinders are indicated by 2.
- The third part with 2 numerals indicates the dimensions of the working facets of the anvils or the dimensions of the cavity of the pressure cylinders with only integers.

MORE INFORMATION

Web: www.carbide tungsten.com

Email: ebiz@ctia.com.cn